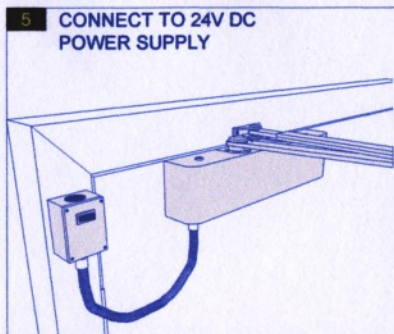
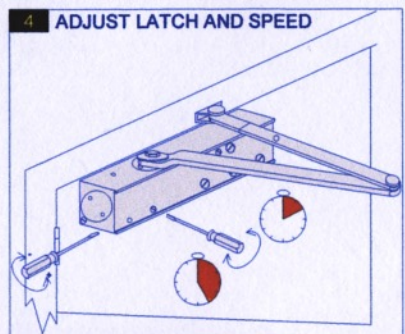
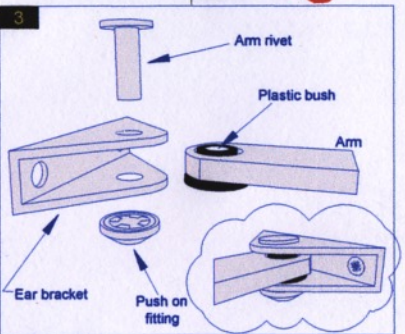
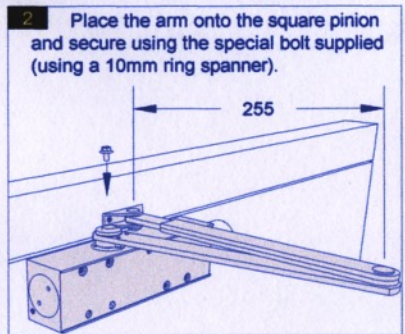
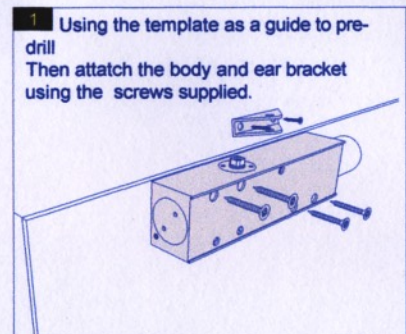
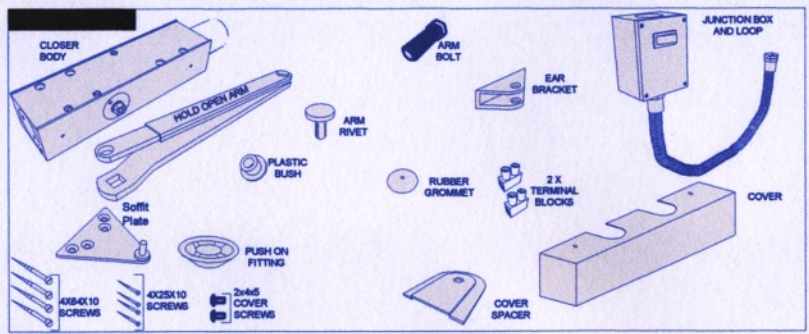
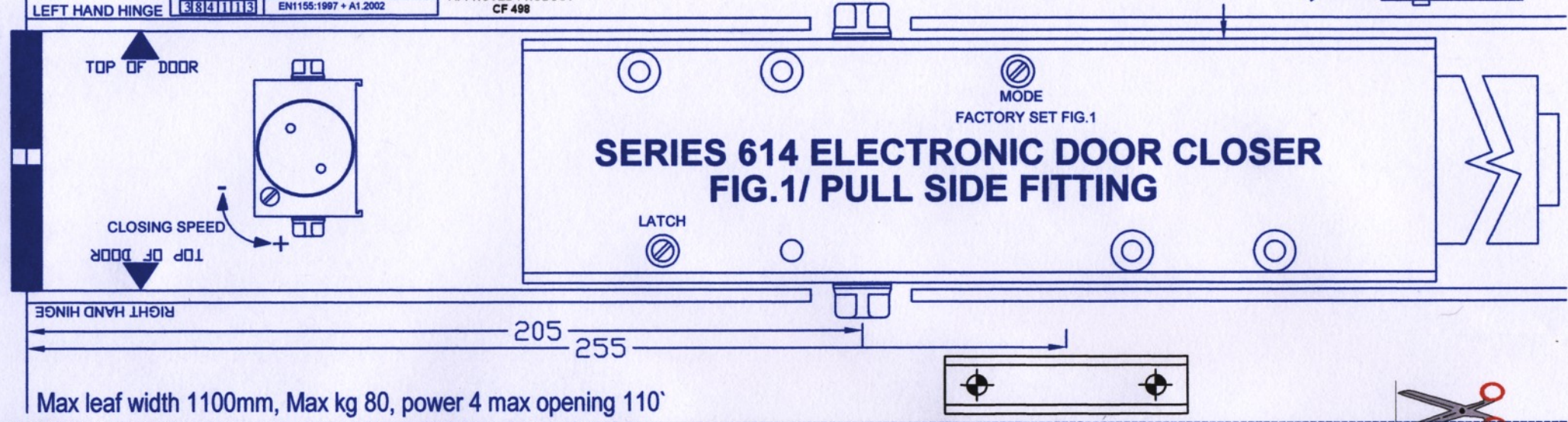


03.06.15

<b>CE</b>	<b>ARROW ARCHITECTURAL</b> Tything Road Alcester B496ES
1121-CPD-AE0006	
38411113	EN1154:1996 + A1.2002
38411113	EN1155:1997 + A1.2002



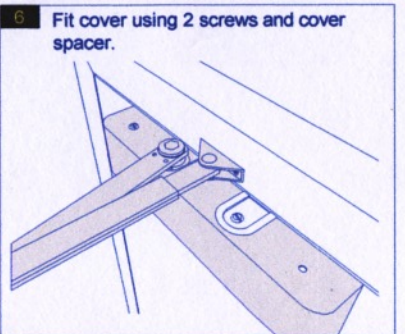
APPROVED PRODUCT  
CF 498



**POWER REQUIRED:-24V DC-2 WATTS-0.085AMPS**

**WIRING INSTRUCTIONS**

1. Screw the junction box onto the door frame at approximately the same height as the closer body.
2. Holding the cover, carefully thread the 2 red wires through the hole nearest to the door hinge and secure the armoured loop with the nut supplied.
3. Attach the 2 red wires from the junction box (the wires you have just put through the cover) to the 2 red wires coming out of the coil at the rear end of the closer body. (polarity is not important)
4. Connect your 24v dc supply to the switched junction box.
5. Switch the supply on and test (note:- make sure the switch on the junction box is in the on position before testing.)



**MAINTENANCE**

Periodically apply light oil to the arm knuckle joint and check all screws and the pinion bolt are tight.  
D.O.P down load available at [www.arrow-architectural.com](http://www.arrow-architectural.com)

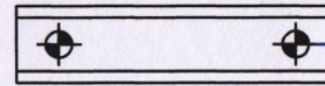
03.06.15

<b>CE</b>	<b>ARROW ARCHITECTURAL</b> Tything Road Alcester B496ES
1121-CPD-AE0006	
3841113	EN1154:1996 + A1:2002
3841113	EN1155:1997 + A1:2002



APPROVED PRODUCT  
CF 498

D.O.P down load available at [www.arrow-architectural.com](http://www.arrow-architectural.com)

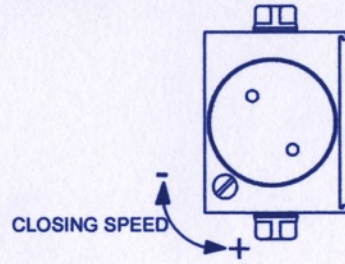


33



LEFT HAND HINGE

TOP OF DOOR



# SERIES 634 ELECTRONIC DOOR CLOSER FIG.1/ PULL SIDE FITTING

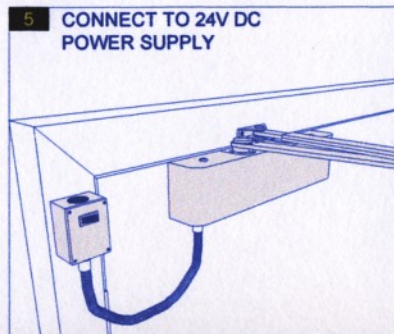
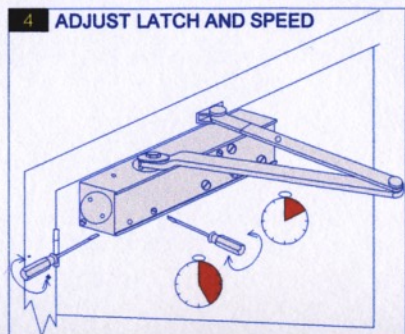
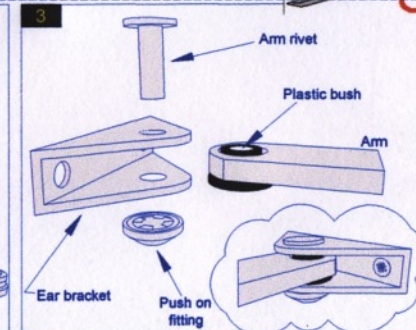
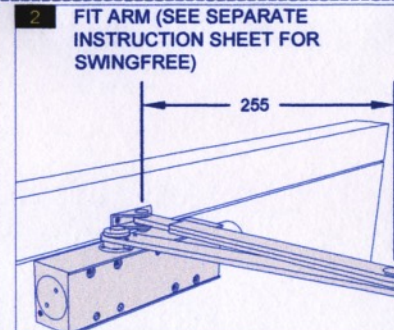
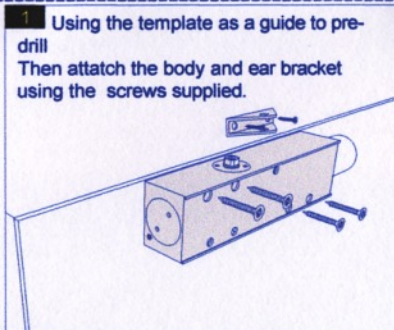
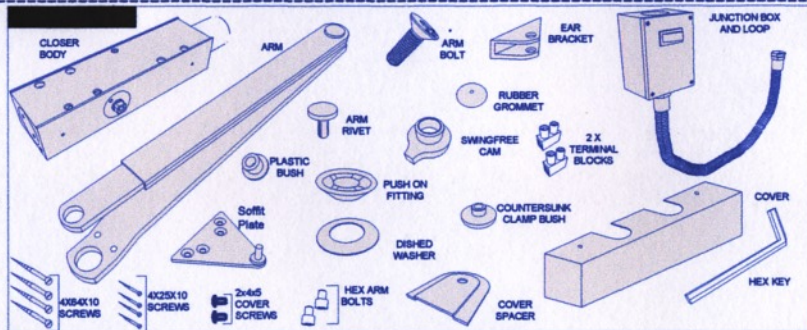
TOP OF DOOR

RIGHT HAND HINGE

205

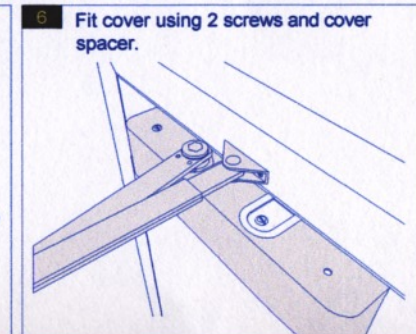
255

Max leaf width 1100mm, Max kg 80, power 4, Max opening 110°



**POWER REQUIRED:-24V DC-2 WATTS-0.085AMPS**  
**WIRING INSTRUCTIONS**

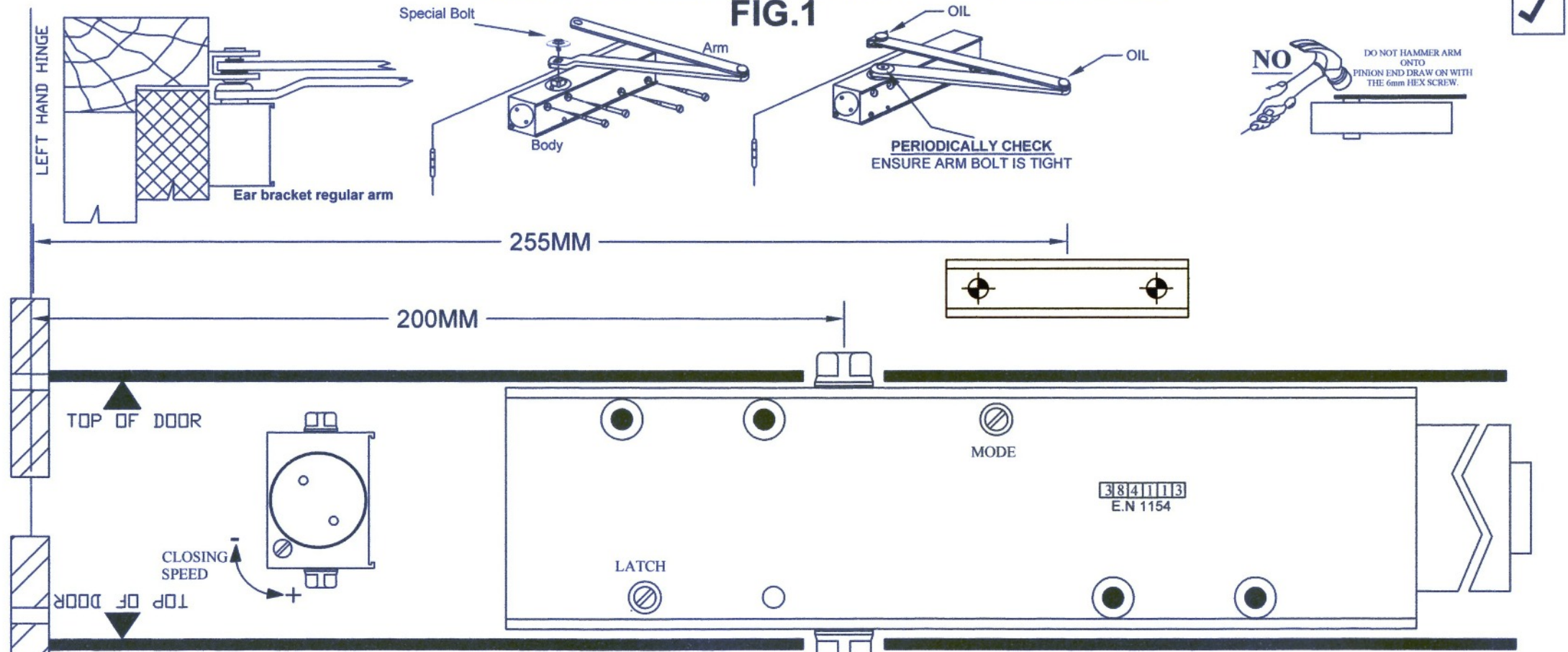
1. Screw the junction box onto the door frame at approximately the same height as the closer body.
2. Holding the cover, carefully thread the 2 red wires through the hole nearest to the door hinge and secure the armoured loop with the nut supplied.
3. Attach the 2 red wires from the junction box (the wires you have just put through the cover) to the 2 red wires coming out of the coil at the rear end of the closer body. (polarity is not important)
4. Connect your 24v dc supply to the switched junction box.
5. Switch the supply on and test (note:- make sure the switch on the junction box is in the on position before testing.)



**MAINTENANCE** Periodically apply light oil to the arm knuckle joint and check all screws and the pinion bolt are tight.

# SERIES 600 ELECTRONIC DOOR CLOSER

## FIG.1



### FITTING AND 24VDC WIRING INSTRUCTIONS

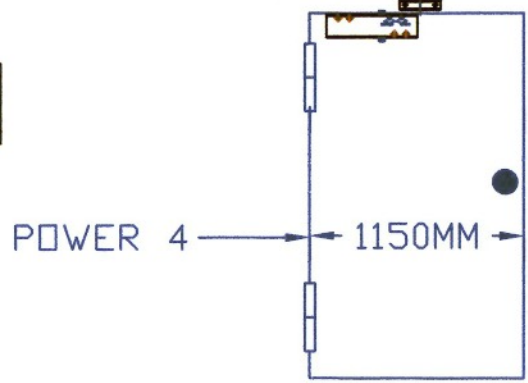
**PLEASE READ CAREFULLY BEFORE ASSEMBLY & FIXING**

- Using the template to position the arm bracket, drill 2 pilot holes. Using the 2 \* 1" wood screws secure the arm bracket. Centre line of the bracket to hinge should be 255mm.
- Still using the template, drill 4 pilot holes and screw on the door closer body using the 4 \* 1/2" wood screws to secure the closer. Centre line of body to centre line of the hinge is 200mm.
- Fit the arm to closer using the fitting supplied. Fit arm to bracket using nylon bush, arm pin and starlock washer.
- Set door and latching speed, do not unscrew door speed and latching adjusters from fully closed more than 1.1/2 turns.
- The mode selector screw should be unscrewed 1.1/2 turns from closed.(regular application).

**WIRING INSTRUCTIONS**

**PLEASE NOTE THIS CLOSER IS 24VDC**

- Screw the terminal box onto the door frame at approximatley the same hight as the closer body.
- Holding the cover, carefully thread the 2 wires thru the hole nearest to the door hinge and secure the armoured loop with the nut supplied.
- Attach the 2 wires from the junction box(the wires you have just put thru the cover) to the 2 wires coming out of the coil at the back end of the closer (polarity is not important).
- Connect your 24VDC supply to the switched junction box.
- Switch the supply on and test.(Note:- make sure the switch on the junction box is in the on position before testing).
- Periodic maintenance is very important, making sure body and arm are secure, and oiling the arm joints regular.



	ARROW ARCHITECTURAL	
	Tything Road	
	Alcester	
B496ES		
1121-CPD-AE0006		
3841113		EN1154:1996 + A1.2002
3841113		EN1155:1997 + A1.2002

RIGHT HAND HINGE

LEFT HAND HINGE

TOP OF DOOR

TOP OF DOOR

Ear bracket regular arm

Special Bolt

Arm

Body

OIL

OIL

PERIODICALLY CHECK  
ENSURE ARM BOLT IS TIGHT

NO

DO NOT HAMMER ARM  
ONTO  
PINION END DRAW ON WITH  
THE 6mm HEX SCREW.

MODE

3841113  
E.N 1154

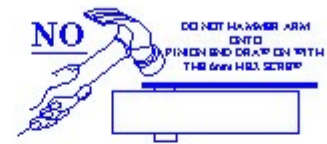
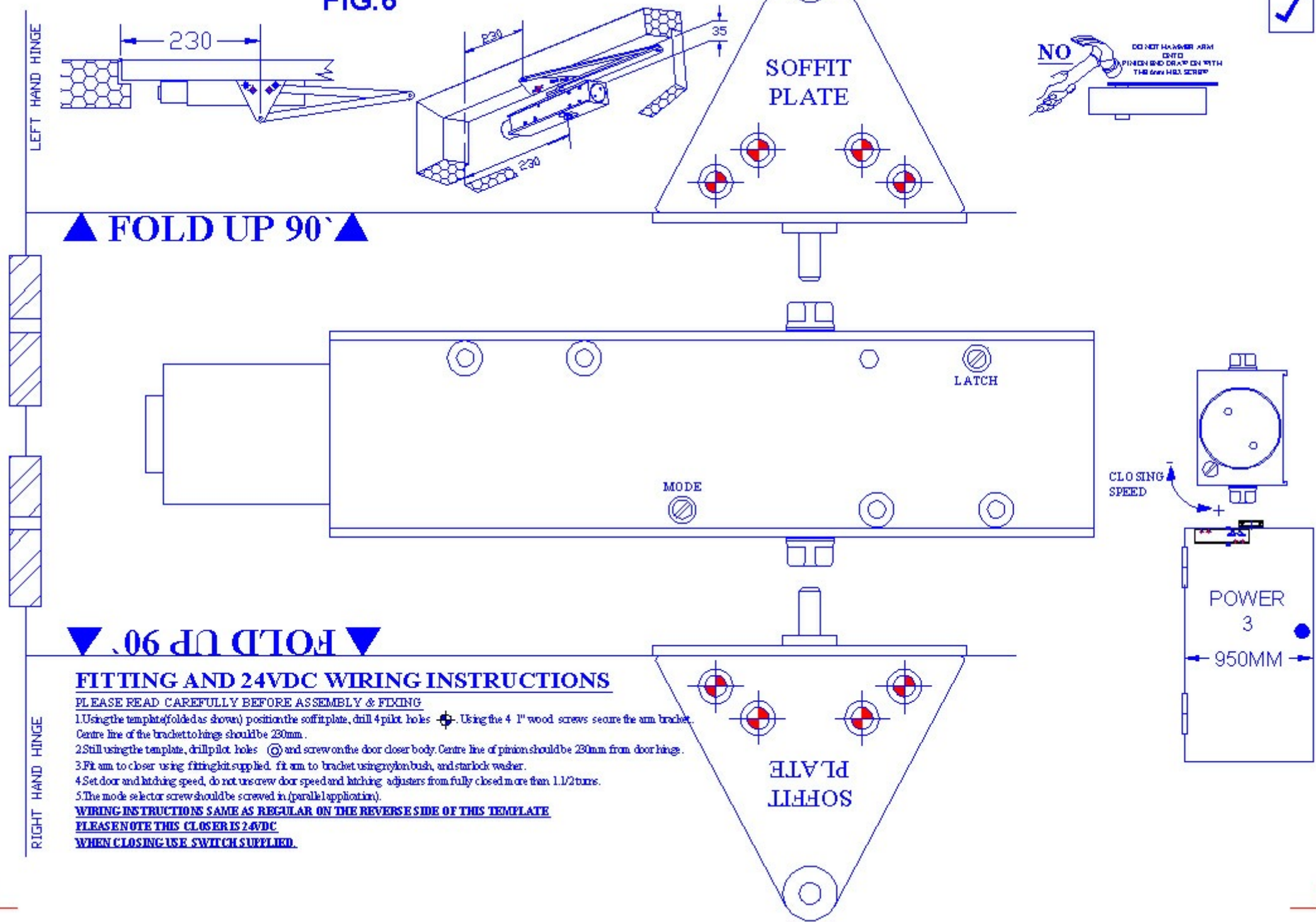
LATCH

POWER 4

1150MM

# SERIES 600 ELECTRONIC DOOR CLOSER

## FIG.6



▲ FOLD UP 90° ▲

▼ FOLD UP 90° ▼

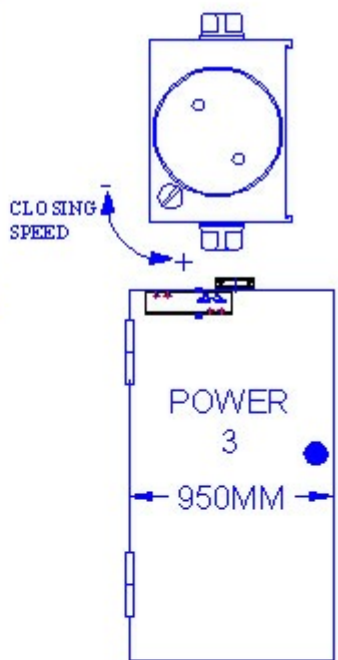
### FITTING AND 24VDC WIRING INSTRUCTIONS

PLEASE READ CAREFULLY BEFORE ASSEMBLY & FIXING

1. Using the template (folded as shown) position the soffit plate, drill 4 pilot holes. Using the 4 1" wood screws secure the arm bracket. Centre line of the bracket to hinge should be 230mm.
2. Still using the template, drill pilot holes and screw on the door closer body. Centre line of pinion should be 230mm from door hinge.
3. Fit arm to closer using fitting kit supplied. fit arm to bracket using nylon bush, and starlock washer.
4. Set door and latching speed, do not use screw door speed and latching adjusters from fully closed more than 1 1/2 turns.
5. The mode selector screw should be screwed in (parallel application).

**WIRING INSTRUCTIONS SAME AS REGULAR ON THE REVERSE SIDE OF THIS TEMPLATE**

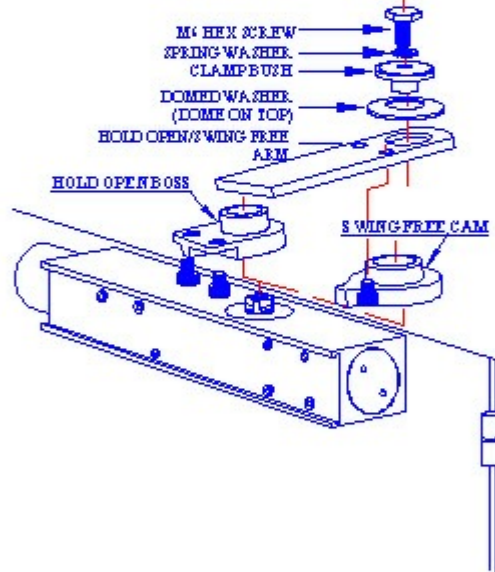
**PLEASE NOTE THIS CLOSER IS 24VDC  
WHEN CLOSING USE SWITCH SUPPLIED.**



**SWING FREE / HOLD OPEN**

After switching on the 24vdc supply, open the door to the required position. The door will then operate as if there were no closer fitted. It may be opened or closed freely with no resistance. In the event of the electric supply being interrupted, the door will close from whatever position it was in.

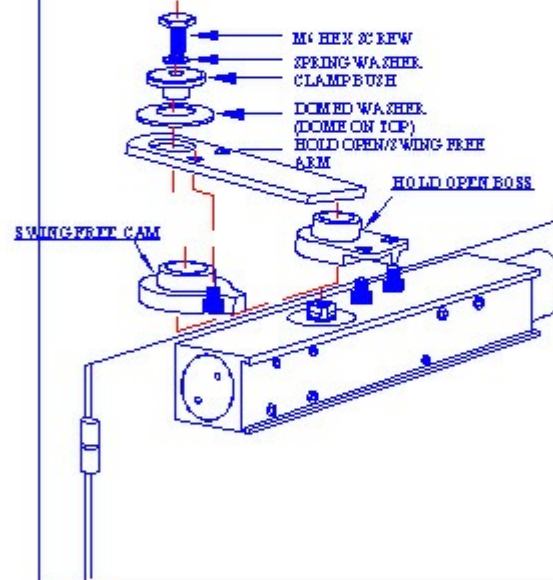
**NOTE:-** To fit in hold open mode secure the hold open boss with the 2 small M5 allen screws making sure they are very tight. To fit in the swing free mode you only fit 1 off M5 allen screw in the position shown in the diagram ie:- fit the screw into the nearest threaded hole to the hinge.



**SWING FREE / HOLD OPEN**

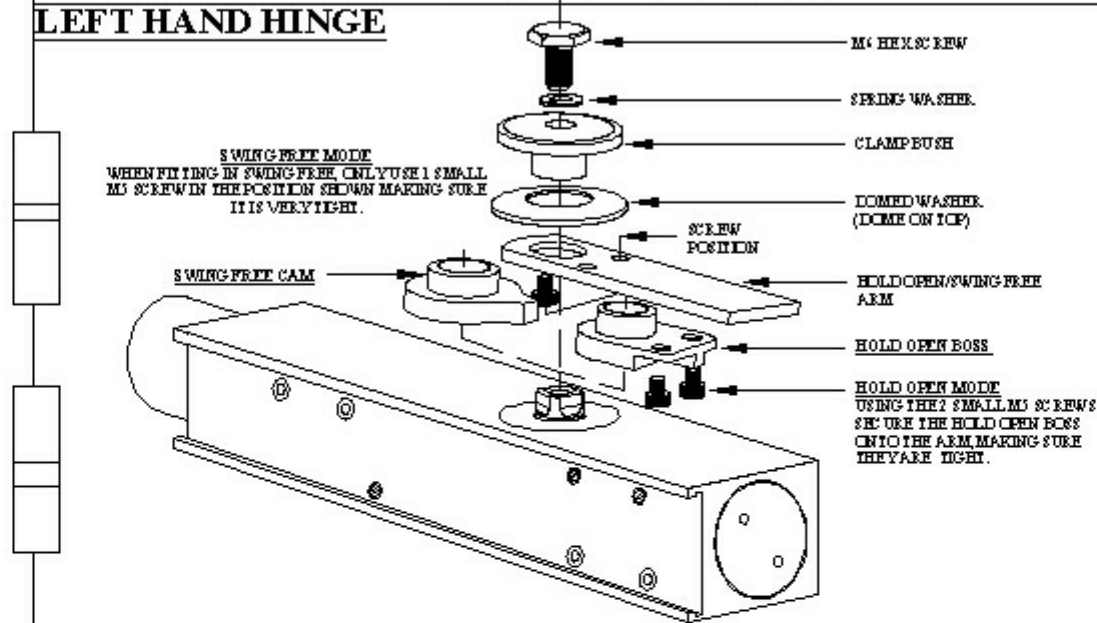
After switching on the 24vdc supply, open the door to the required position. The door will then operate as if there were no closer fitted. It may be opened or closed freely with no resistance. In the event of the electric supply being interrupted, the door will close from whatever position it was in.

**NOTE:-** To fit in hold open mode secure the hold open boss with the 2 small M5 allen screws making sure they are very tight. To fit in the swing free mode you only fit 1 off M5 allen screw in the position shown in the diagram ie:- fit the screw into the nearest threaded hole to the hinge.

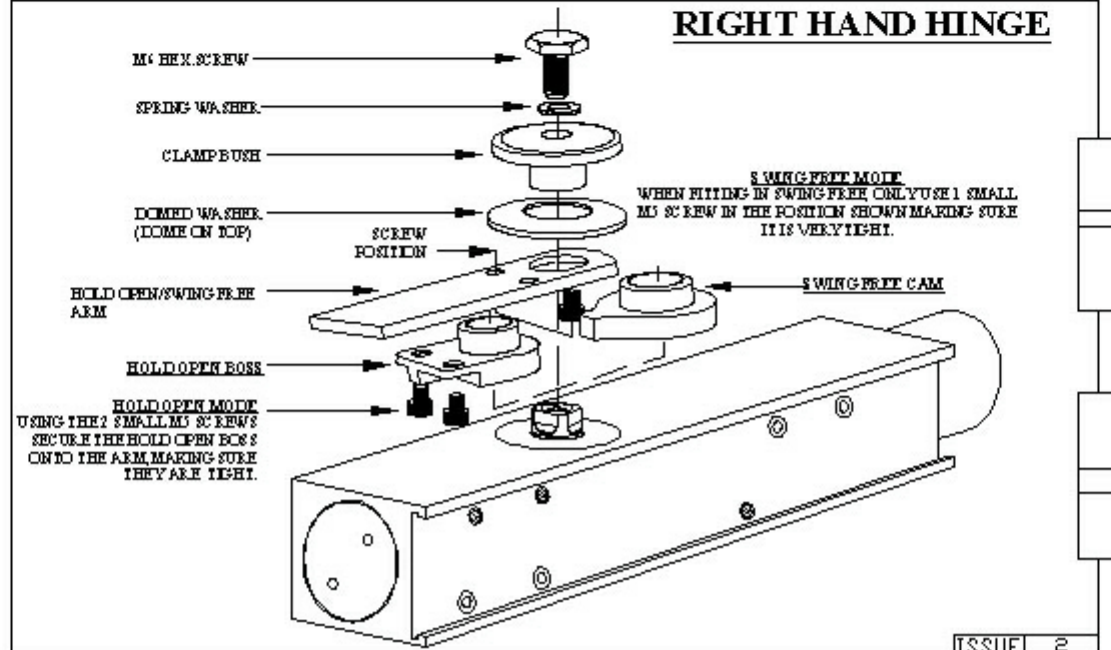


# PARALLEL ARM APPLICATION FOR PUSH OPEN DOORS CAM SETTINGS FOR SERIES 600 HOLD OPEN / SWING FREE

## LEFT HAND HINGE





## RIGHT HAND HINGE

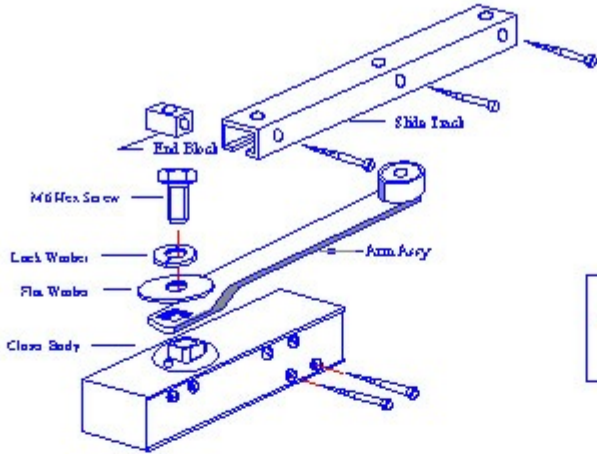


**FIXING INSTRUCTIONS (FIG.1.)**

**PLEASE READ CAREFULLY BEFORE ASSEMBLY & FIXING**

1. Using the template, drill holes  and screw on the door closer body. Centre line of pinion should be 220mm from the door hinge.
  2. At this point slide the plastic slider on the arm into the slide track channel.
  3. Using the template, drill hole  and screw on the slide track, Remember to fit end blocks and centre fixing screws. The End of track should be 120MM from the centre line of the door hinge and 22mm from the top of the closer body to the bottom of the track.
  4. Using a 12mm open ended spanner on the bottom end of the pinion turn it to match the square on the pinion to the square on the arm, press arm on to the pinion.
  5. Open the door a small amount to enable the arm to be bolted on to the closer using the special 6mm bolt.
  6. Set door and latching speed.
- When adjusting speed and latch do not unscrew from fully closed more than 1 1/2 turns.

LEFT HAND HINGE



TOP OF DOOR



TOP OF DOOR



RIGHT HAND HINGE

**24VDC WIRING INSTRUCTIONS**

**PLEASE NOTE THIS CLOSER IS 24VDC**

1. Screw the terminal box onto the door frame at approximately the same height as the closer body.
2. Holding the cover, carefully thread the 2 wires thru the hole nearest to the door hinge and secure the armoured loop with the nut supplied.
3. Attach the 2 wires from the junction box (the wires you have just put thru the cover) to the 2 wires coming out of the coil at the back end of the closer (polarity is not important).
4. Connect your 24VDC supply to the switched junction box.
5. Switch the supply on and test. (Note: make sure the switch on the junction box is in the on position before testing).
6. Make sure when fitted in this mode your mode selection screw is unscrewed 1 1/2 turns from fully closed.
7. Periodic maintenance is very important, making sure body and arm are secure, and oiling the arm joints regular.